

# WELLCARE

## Naturcare Sound Relaxation

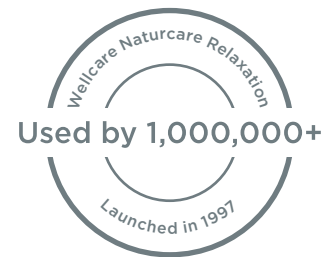
Stress relief | A restful night's sleep

**Instruction Manual**

### WE-686

# WELLCARE

[wellcare-global.com](http://wellcare-global.com)



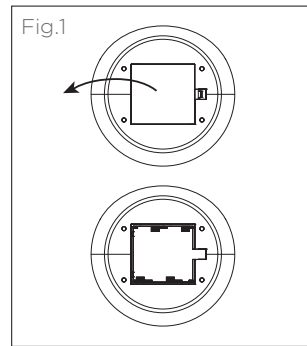
## Model No. WE-686

# NATURCARE SOUND RELAXATION

Thank you for purchasing Wellcare's Naturcare Sound Relaxation which is wonderful for stress relief, meditation, sound masking and a restful night's sleep. Wellcare's Naturcare Sound Relaxation mimics 7 natural sounds - heartbeat, sea waves, brook, birds song, woods, white noise and rain. Immerse yourself in a natural sound environment helps you mask or ignore annoying sounds. Please take a few minutes to read this instruction carefully before using this product.

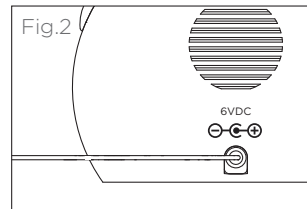
## BATTERY INSTALLATION

Remove the battery compartment cover at the bottom of the product (Fig.1) and insert 4 x AA 1.5V batteries (not included) observing correct polarity as indicated in the battery compartment. Close the battery compartment cover. Always use new batteries, all the same brand. We recommend Duracell for best performance. Never use a mix of new and old batteries.



## DC POWER

A specified DC 6V 200mA adaptor (optional) can be also used as a power supply for the Naturcare Sound Relaxation. For use, please connect the adaptor to the power socket on rear of the unit. (Fig.2)



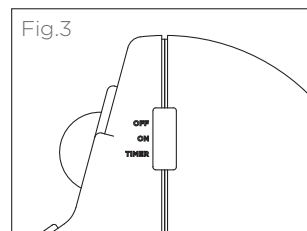
## OPERATION INSTRUCTIONS

Choose the desired mode by simply sliding the OFF/ON/TIMER switch located on the side of the Naturcare Relaxation. (Fig.3)

**OFF** = Power off

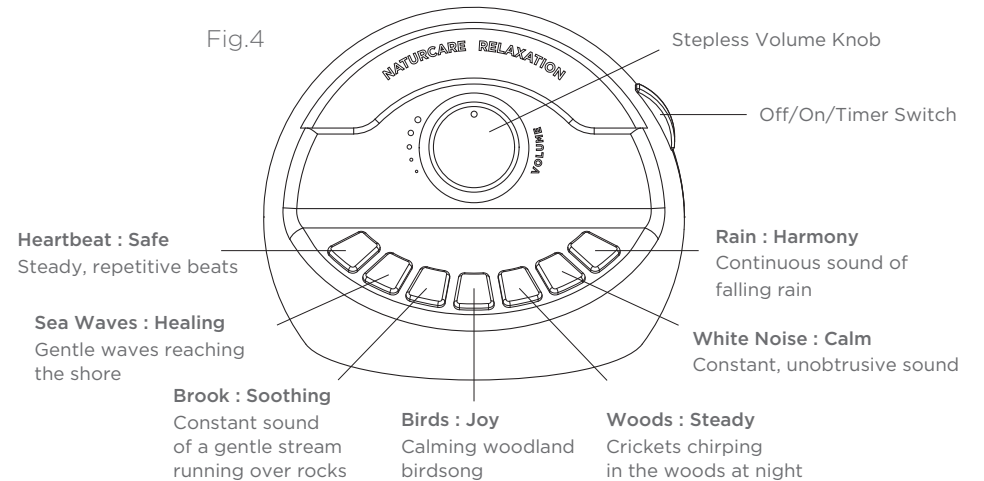
**ON** = Play sounds continuously

**Timer** = Switch off automatically after 30 minutes



To adjust volume - turn the knob in front of unit clockwise to increase volume and anti-clockwise to reduce volume. (Fig.4)

To select sound - press the button corresponding to desired sound. (Fig.4)



## DISPOSAL

- Please respect the environment.
- Dispose of the packaging according to the local recycling regulations.
- Dispose of the appliance at the end of its life span according to environmental considerations.

## TECHNICAL SPECIFICATIONS

Measurements: Dia.14cm x 11.6cm

Operation: 4 x AA 1.5V batteries (not included) or DC 6V 200mA adaptor (optional)



Imported by CONNEVANS LIMITED

Bridge House, 1 Nutfield Road, Merstham, Surrey, RH1 3EB, UK  
Made in China